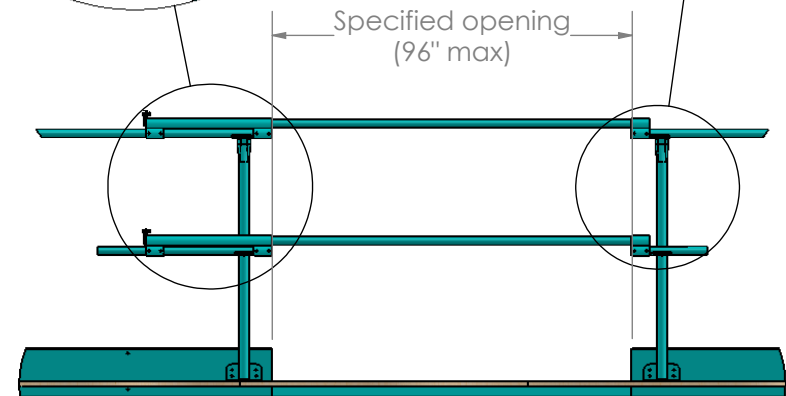
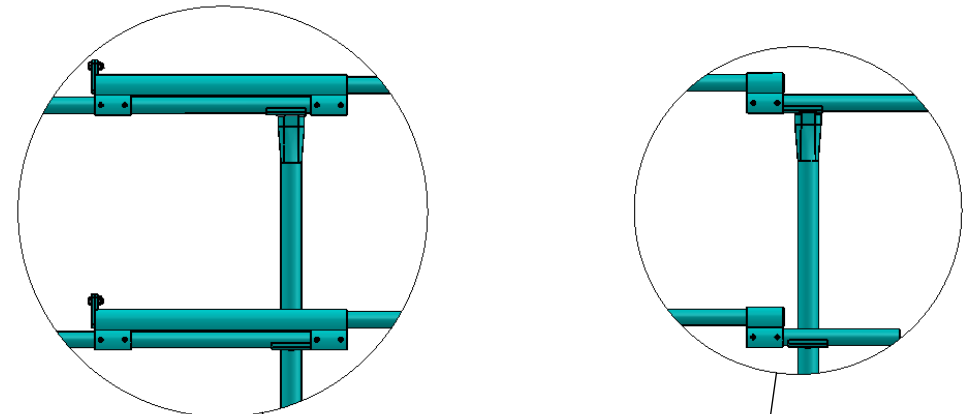
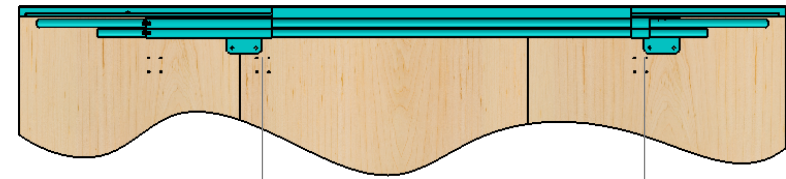


Use 760/F04 (x12)
to secure 760/G9 components



DISCLAIMER
The installation instructions provided are for reference purposes only. No claim is made or implied that this guardrail system will meet local authorities' requirements. Each application should be directed to an authority having jurisdiction. Unitran accepts no responsibility or liability for any injuries as a result of incorrect application or installation

PROPRIETARY AND CONFIDENTIAL

THE INFORMATION CONTAINED IN THIS DRAWING IS THE SOLE PROPERTY OF Unitran Manufacturers Ltd. ANY REPRODUCTION IN PART OR AS A WHOLE WITHOUT THE WRITTEN PERMISSION OF Unitran Manufacturers Ltd. IS PROHIBITED.

NAME	DATE	DWG. NO.	REV.
Dean S.	7/17/14	U-1225	