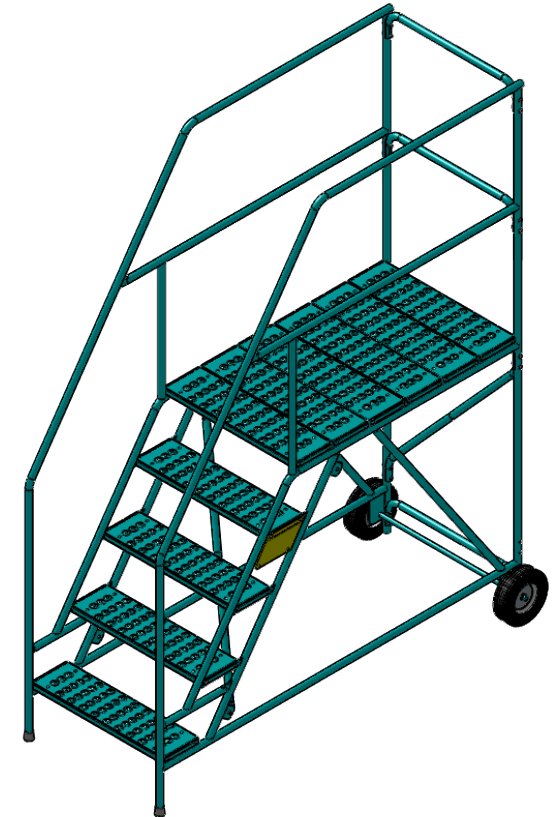
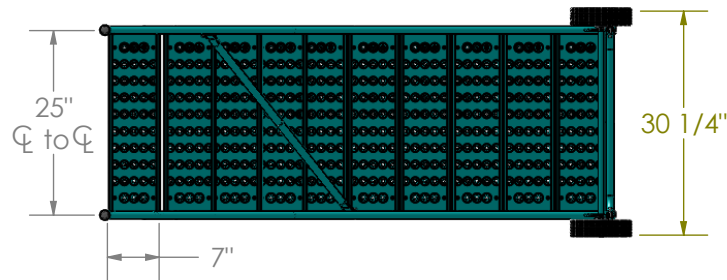
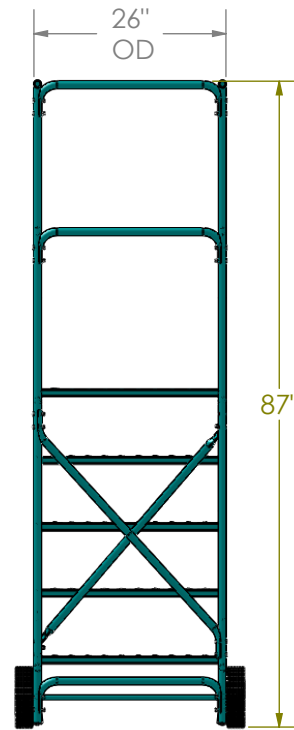
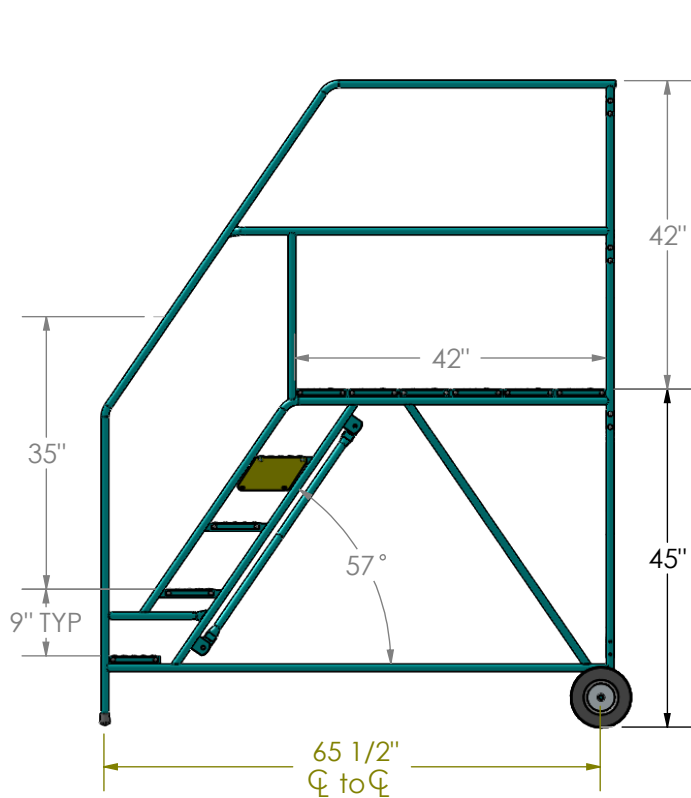


		REVISIONS			
ZONE	REV.	DESCRIPTION	DATE	APPROVED	



DIMENSIONS ARE IN INCHES
 TOLERANCES:
 FRACTIONAL: $\pm 1/16"$
 ANGULAR: $\pm 1^\circ$
 UNLESS OTHERWISE STATED

MATERIAL

16ga x1" ϕ
 framework
 14ga treads

DO NOT SCALE DRAWING

	NAME	DATE
DRAWN	Dean S.	2/6/7

COMMENTS:

Unitran Manufacturers

WP5HR-42

PART NO.	DWG. NO.	REV.
890/WP5HR-42	U-0463	
SCALE:	WEIGHT:	SHEET 1 OF 1

PROPRIETARY AND CONFIDENTIAL
 THE INFORMATION CONTAINED IN THIS
 DRAWING IS THE SOLE PROPERTY OF
 Unitran Manufacturers Ltd. ANY
 REPRODUCTION IN PART OR AS A WHOLE
 WITHOUT THE WRITTEN PERMISSION OF
 Unitran Manufacturers Ltd.
 IS PROHIBITED.