

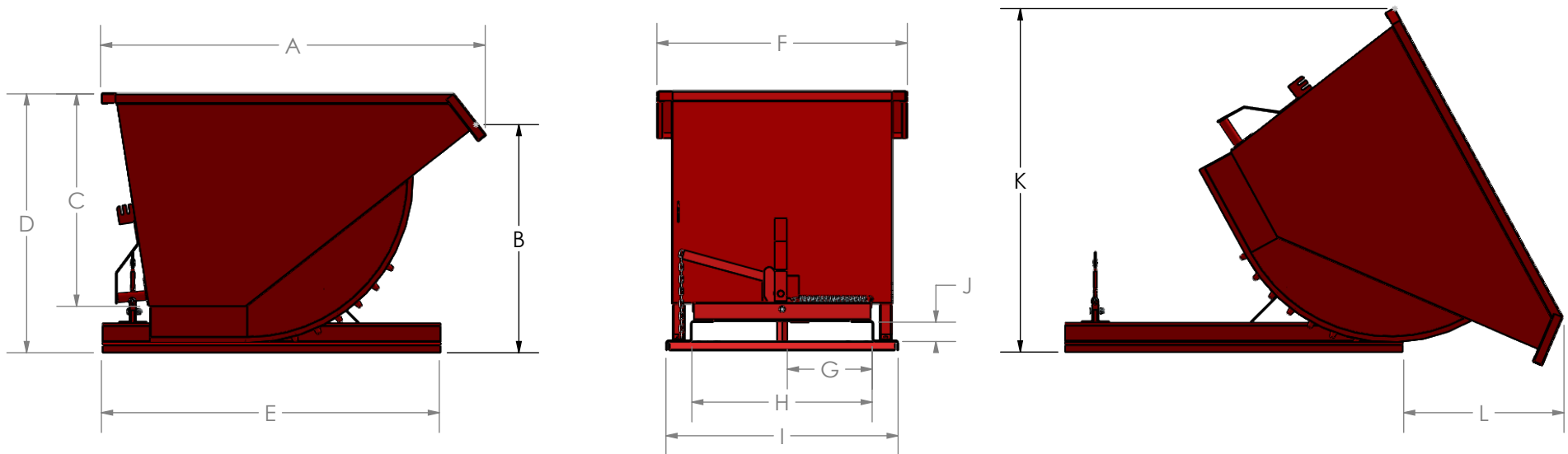
OVERVIEW  
FOR:

# UNITRAN STANDARD SELF DUMPING HOPPER SPECS

PAGE# OF

1 1

MODEL	A	B	C	D	E	F	G	H	I	J	K	L	SHIP WEIGHT	CU. YARD	RATED CAP.
800/SDH050	48.5"	28"	24.5"	32"	46"	45.25"	14"	29.5"	38.25"	3.187"	42"	14.75"	385 lbs	.5	4000 lbs
800/SDH050-3/16	48.5"	28"	24.5"	32"	46"	45.25"	14"	29.5"	38.25"	3.187"	42"	14.75"	460 lbs	.5	4000 lbs
800/SDH050-1/4	48.5"	28"	24.5"	32"	46"	45.25"	14"	29.5"	38.25"	3.187"	42"	14.75"	535 lbs	.5	4000 lbs
800/SDH075	57.5"	32.5"	27.5"	35"	52"	41.25"	14"	29.5"	38.25"	3.187"	48.25"	18.75"	420 lbs	.75	4000 lbs
800/SDH075-3/16	57.5"	32.5"	27.5"	35"	52"	41.25"	14"	29.5"	38.25"	3.187"	48.25"	18.75"	500 lbs	.75	4000 lbs
800/SDH075-1/4	57.5"	32.5"	27.5"	35"	52"	41.25"	14"	29.5"	38.25"	3.187"	48.25"	18.75"	585 lbs	.75	4000 lbs
800/SDH100	63.25"	37.5"	35"	42.5"	55.5"	41.25"	14"	29.5"	38.25"	3.187"	56.5"	27"	505 lbs	1	4000 lbs
800/SDH100-3/16	63.25"	37.5"	35"	42.5"	55.5"	41.25"	14"	29.5"	38.25"	3.187"	56.5"	27"	615 lbs	1	4000 lbs
800/SDH100-1/4	63.25"	37.5"	35"	42.5"	55.5"	41.25"	14"	29.5"	38.25"	3.187"	56.5"	27"	720 lbs	1	4000 lbs
800/SDH150	63.25"	37.5"	35"	42.5"	55.5"	53.25"	14"	29.5"	38.25"	3.187"	56.5"	27"	560 lbs	1.5	4000 lbs
800/SDH150-3/16	63.25"	37.5"	35"	42.5"	55.5"	53.25"	14"	29.5"	38.25"	3.187"	56.5"	27"	680 lbs	1.5	4000 lbs
800/SDH150-1/4	63.25"	37.5"	35"	42.5"	55.5"	53.25"	14"	29.5"	38.25"	3.187"	56.5"	27"	815 lbs	1.5	4000 lbs
800/SDH200	63.25"	37.5"	35"	42.5"	55.5"	65.25"	14"	29.5"	38.25"	3.187"	56.5"	27"	610 lbs	2	4000 lbs
800/SDH200-3/16	63.25"	37.5"	35"	42.5"	55.5"	65.25"	14"	29.5"	38.25"	3.187"	56.5"	27"	750 lbs	2	4000 lbs
800/SDH200-1/4	63.25"	37.5"	35"	42.5"	55.5"	65.25"	14"	29.5"	38.25"	3.187"	56.5"	27"	905 lbs	2	4000 lbs
800/SDH300	78.75"	46.75"	44"	52"	64"	65.25"	13.75"	29"	38.25"	3.187"	70"	35"	850 lbs	3	4000 lbs
800/SDH300-3/16	78.75"	46.75"	44"	52"	64"	65.25"	13.75"	29"	38.25"	3.187"	70"	35"	1035 lbs	3	4000 lbs
800/SDH300-1/4	78.75"	46.75"	44"	52"	64"	65.25"	13.75"	29"	38.25"	3.187"	70"	35"	1240 lbs	3	4000 lbs
800/SDH400	79"	59.5"	55.5"	63"	68"	65.25"	13.75"	29"	38.25"	3.187"	77.75"	40.5"	970 lbs	4	4000 lbs
800/SDH400-3/16	79"	59.5"	55.5"	63"	68"	65.25"	13.75"	29"	38.25"	3.187"	77.75"	40.5"	1180 lbs	4	4000 lbs
800/SDH400-1/4	79"	59.5"	55.5"	63"	68"	65.25"	13.75"	29"	38.25"	3.187"	77.75"	40.5"	1425 lbs	4	4000 lbs



PROPRIETARY AND CONFIDENTIAL

THE INFORMATION CONTAINED IN THIS DRAWING IS THE SOLE PROPERTY OF Unitran Manufacturers Ltd.  
ANY REPRODUCTION IN PART OR AS A WHOLE WITHOUT THE WRITTEN PERMISSION OF Unitran Manufacturers Ltd. IS PROHIBITED.

Unitran Manufacturers

NAME	DATE	DWG. NO.	REV.	NAME	DATE
DRAWN Dean S.	2/11/19	U-1895		APPROV. Jason M.	2/11/19