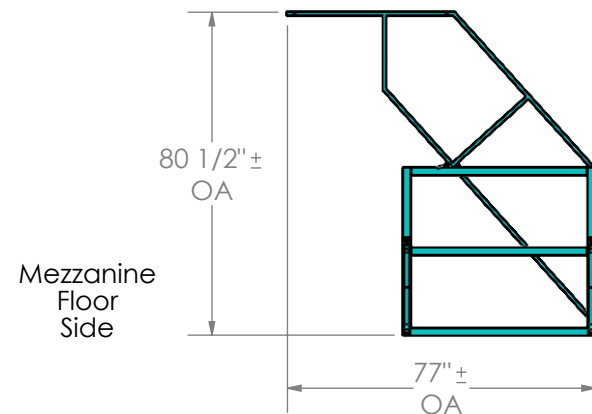
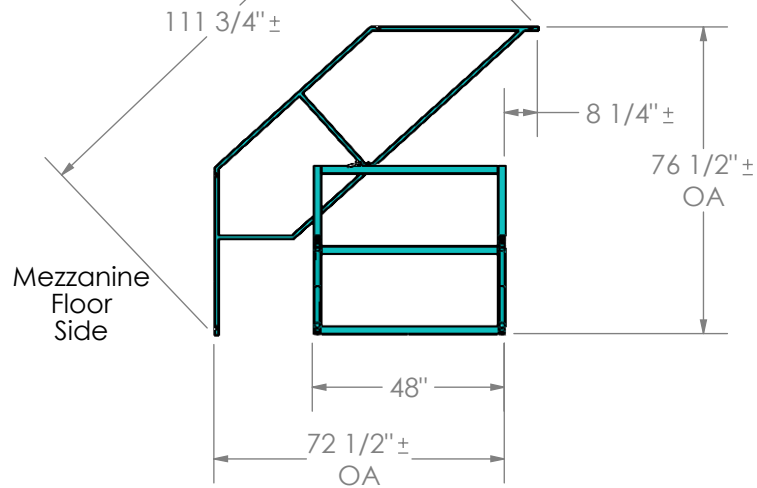
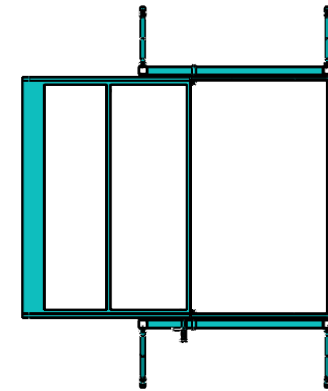
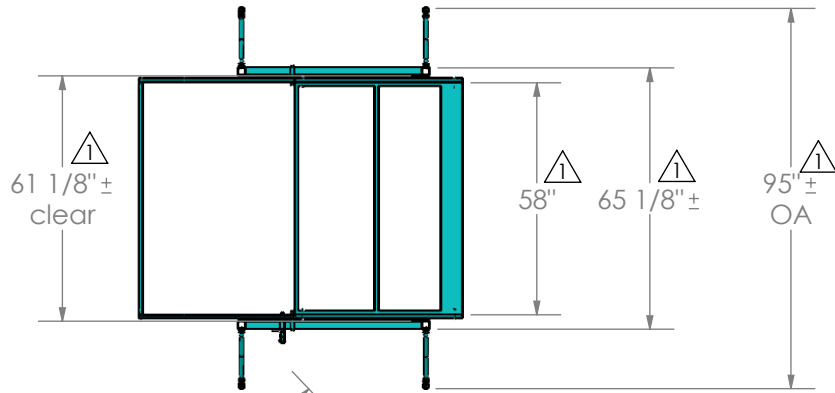


		REVISIONS		
ZONE	REV.	DESCRIPTION	DATE	APPROVED
	1	dimensions changed	6/2/20	VP



DIMENSIONS ARE IN INCHES
 TOLERANCES:
 FRACTIONAL $\pm 1/32"$
 ANGULAR: MACH $\pm .5$ BEND $\pm .5$
 TWO PLACE DECIMAL $\pm .010$
 THREE PLACE DECIMAL $\pm .005$
 UNLESS OTHERWISE STATED

	NAME	DATE
DRAWN	Dean S.	6/12/12
CHECKED	RS	2/28/17
ENG APPR.		
MFG APPR.	VP	2/28/17

Unitran Manufacturers
 PSG8060
 Foot Print
 Dimensions

PROPRIETARY AND CONFIDENTIAL
 THE INFORMATION CONTAINED IN THIS
 DRAWING IS THE SOLE PROPERTY OF
 Unitran Manufacturers Ltd. ANY
 REPRODUCTION IN PART OR AS A WHOLE
 WITHOUT THE WRITTEN PERMISSION OF
 Unitran Manufacturers Ltd.
 IS PROHIBITED.

MATERIAL

DO NOT SCALE DRAWING

COMMENTS:

PART NO.	DWG. NO. U-1084	REV. 1
SCALE:	WEIGHT:	SHEET 1 OF 1