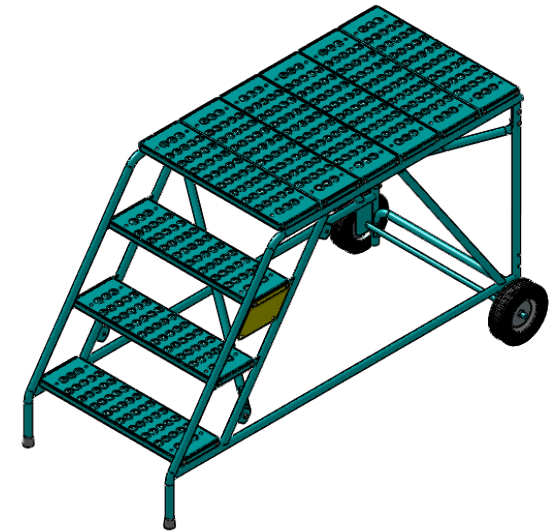
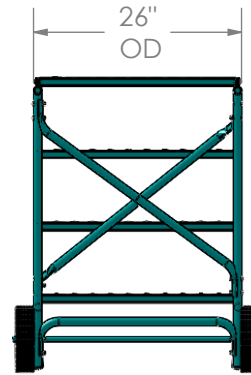
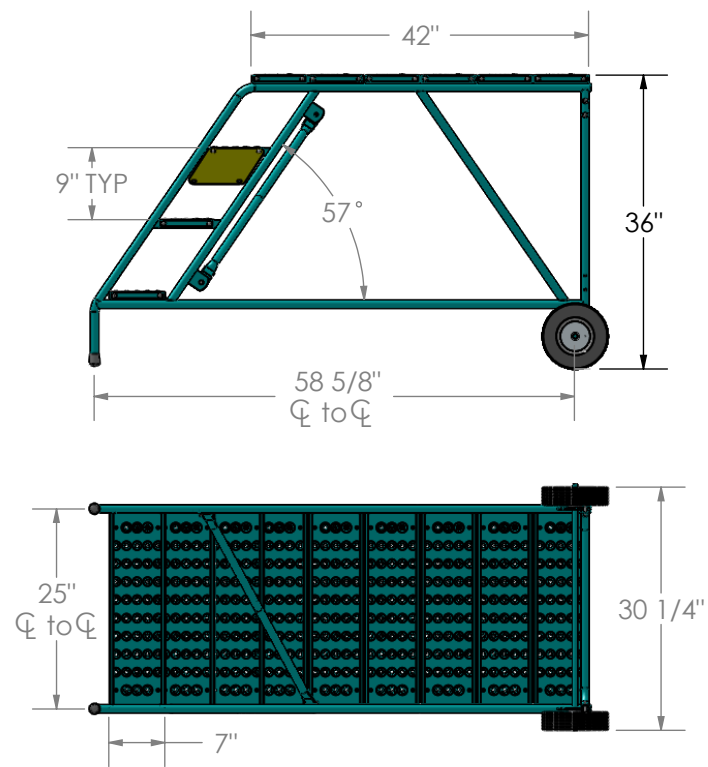


		REVISIONS			
ZONE	REV.	DESCRIPTION	DATE	APPROVED	



DIMENSIONS ARE IN INCHES  
 TOLERANCES:  
 FRACTIONAL  $\pm 1/16"$   
 ANGULAR:  $\pm 1^\circ$   
 UNLESS OTHERWISE STATED

MATERIAL

16ga x 1"  $\phi$   
 framework  
 14ga treads

DO NOT SCALE DRAWING

	NAME	DATE
DRAWN	Dean S.	2/1/7

COMMENTS:

Unitran Manufacturers

WP4-42

PART NO.	DWG. NO.	REV.
890/WP4-42	U-0459	
SCALE:	WEIGHT:	SHEET 1 OF 1

**PROPRIETARY AND CONFIDENTIAL**  
 THE INFORMATION CONTAINED IN THIS  
 DRAWING IS THE SOLE PROPERTY OF  
 Unitran Manufacturers Ltd. ANY  
 REPRODUCTION IN PART OR AS A WHOLE  
 WITHOUT THE WRITTEN PERMISSION OF  
 Unitran Manufacturers Ltd.  
 IS PROHIBITED.